



HOW TO VOTE IN THE EUROPEAN ELECTIONS

SUMMARY

FOREWORD: WHY IS IT IMPORTANT TO VOTE?

WHO DO WE ELECT IN EUROPEAN ELECTIONS?

AM I ENTITLED TO VOTE IN EUROPEAN ELECTIONS?

REGISTERING ON THE ELECTORAL ROLL

HOW TO VOTE – WHAT I CAN DO!

HOW TO VOTE – WHAT I CANNOT DO!

POSTAL VOTES

PRACTICAL TIPS AND TIMETABLE

WHY IS IT IMPORTANT TO VOTE?

THE RIGHT TO VOTE IN EUROPEAN ELECTIONS IS NOT JUST A RIGHT – AND IN LUXEMBOURG AN OBLIGATION – IT IS AN ACT OF CITIZENSHIP. ESPECIALLY GIVEN POLITICAL DEVELOPMENTS IN MANY COUNTRIES AROUND THE WORLD AND THE WAY DEMOCRACY IS BEING CALLED INTO QUESTION.

In the European elections, citizens directly elect the MEPs who sit in the European Parliament. The European Parliament has wide-ranging powers that have a major impact on our daily lives in the medium term.

All European Union citizens aged 18 and over have the opportunity to take part in the European elections. Get onto the electoral roll and make an active contribution to continuing our democratic tradition!

Dan Biancalana, Deputy Mayor of Dudelange

WHO DO WE ELECT IN EUROPEAN ELECTIONS?

THE EUROPEAN PARLIAMENT IS THE REPRESENTATIVE INSTITUTION FOR EUROPE'S ORDINARY CITIZENS.

Voters in Luxembourg elect 6 members of the European Parliament. They are elected under general rights of direct suffrage for a term of 5 years. Election is by proportional representation.

The competences of the European Parliament

- Opinions on European treaties
- Drafting Community laws
- Exercising certain budgetary powers
- Oversight of the Executive (European Commission)
- Right of action before the Court of Justice of the European Union
- Receiving petitions from European citizens
- Appointment of the European Ombudsman.

AM I ENTITLED TO VOTE IN EUROPEAN ELECTIONS?

In order to vote in EUROPEAN ELECTIONS, voters must:

- Be at least 18 years old
- Be an EU citizen
- Be resident in Luxembourg

REGISTERING ON THE ELECTORAL ROLL

EU citizens living in the Grand Duchy can choose between two electoral procedures for the **European Parliament**.

They can participate in **electing Members of the European Parliament of the Grand Duchy of Luxembourg**. For this, they must be entered on the electoral roll of the local authority where they live. After registering, it is compulsory for them to vote in subsequent elections.

!! It should be noted: even if you're already entered on the roll for local elections, you have to register again to vote in the European elections!

You can also elect **MEPs from your country of origin**. In that case, you have to contact the relevant authorities in your home country, in particular the consulate for your country.

HOW TO VOTE

• WHAT I'M ALLOWED TO DO! •

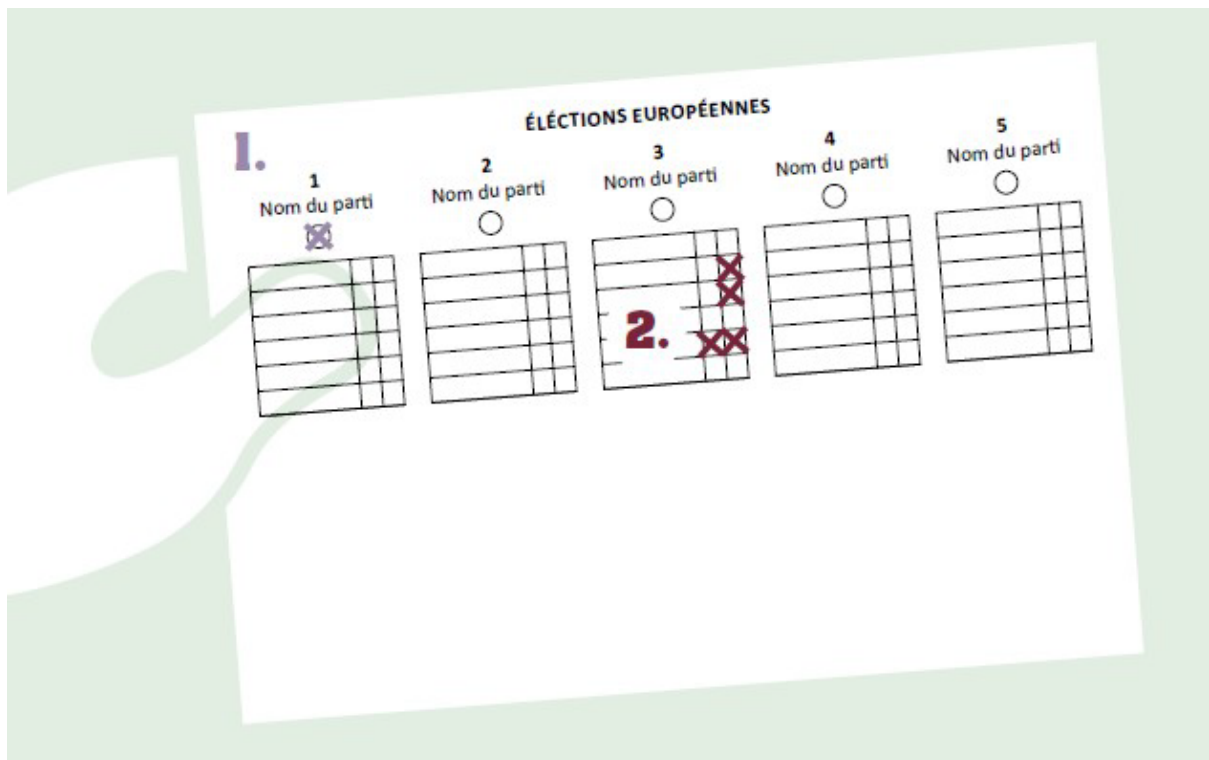
All registered citizens usually receive a ballot notification **in the post at least five days before the election, along with a specimen ballot paper**. Even if you don't get a notification, registered voters can go along to the polling station as long as they are registered (you have to have your identity card on you).

In Luxembourg, you have 6 votes, for 6 MEPs.

1. Put a cross in the circle at the top of the list. This allows you to give 1 vote to each of the candidates on that list.

OR

2. Make 1 or 2 crosses in the boxes after the names on the list, up to a maximum of the 6 votes you're able to cast.



• **WHAT I'M NOT ALLOWED TO DO!** •

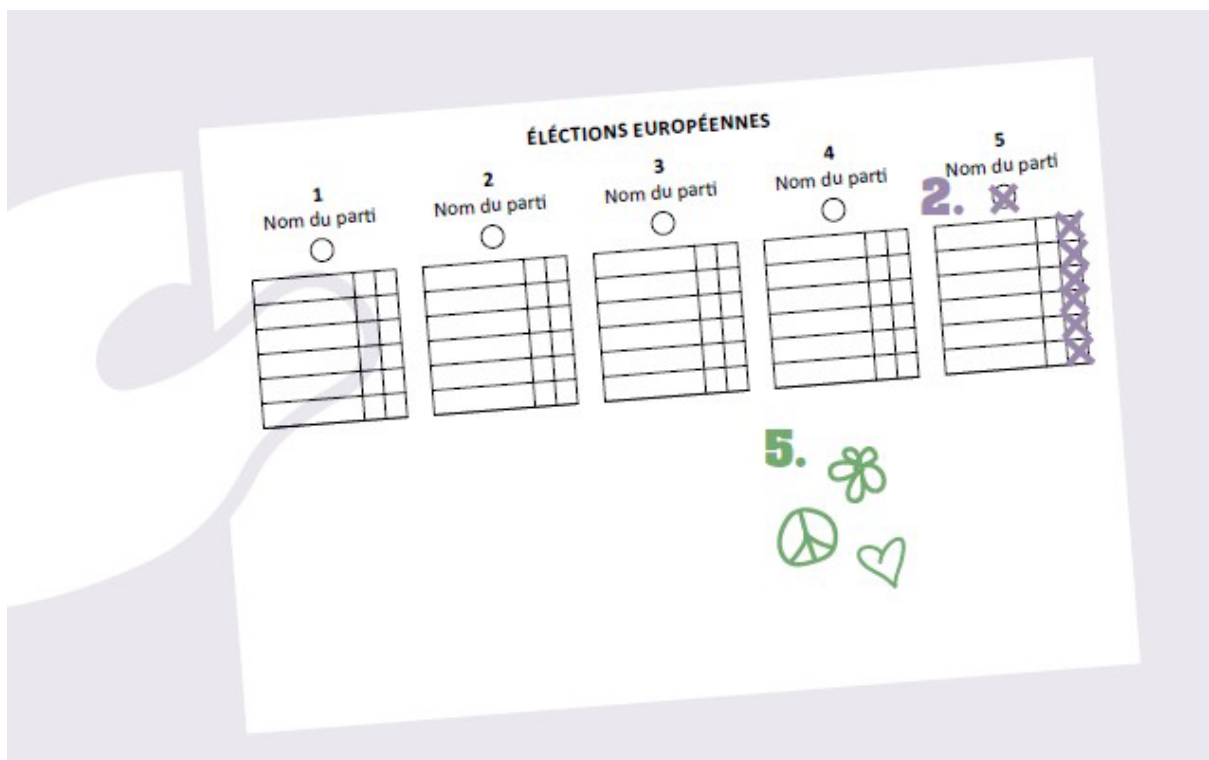
1. Do not cast more votes than the number of representatives who are to be elected, i.e. a maximum of 6 votes!

2. Do not put a cross in the circle at the top of the list AND at the same time in the boxes after the names in the same list.

3. Don't cast no vote at all.

4. Do not place any items or other papers inside the ballot paper.

5. Do not write, draw or scribble on the ballot paper.



POSTAL VOTES

Citizens of Luxembourg nationality are automatically entered on the electoral roll. In Luxembourg, voting is compulsory! Voters over the age of 75 get an automatic dispensation. However, they are still entitled to vote, if they so wish.

However, all voters entered on the electoral roll are entitled to vote by post.

Postal vote applications have to be sent to the local authority in whose area the applicant is resident:

> No earlier than 12 weeks and **no later than 25 days before** polling day, if the notification is to be sent within **Luxembourg**.

> No earlier than 12 weeks and **no later than 40 days before** polling day, if the notification is to be sent **abroad**.

PRACTICAL TIPS AND TIMETABLE

THE NEXT EUROPEAN ELECTIONS WILL BE HELD ON 9 JUNE 2024.

REGISTERING ON THE ELECTORAL ROLL

All citizens who are Luxembourg nationals, aged over 18 and resident in Luxembourg are automatically entered on the electoral roll.

POSTAL VOTES

Postal vote applications have to be sent to the local authority:

- electronically on **www.MyGuichet.lu**
- by post or on a pre-printed form, which is available from the local authority of the place where the person entitled to vote resides or which can be downloaded from www.dudelange.lu.

If sending to Luxembourg

The application has to reach the council between **17 March and 15 May**.

If sending abroad

The application has to reach the council between **17 March and 30 April**.

Details at www.dudelange.lu

Additional information:

Council Administration//Citizens' Office

Telephone: 51 61 21 1

E-mail: ville@dudelange.lu

Town Council

Dan Biancalana, Mayor

Loris Spina, Josiane Di Bartolomeo-Ries, René Manderscheid, Claudia Dall'Agnol, Councillors